

Product description

Bus switching module in switch panel housing with 4 integrated relays, each with one potential-free work contact.

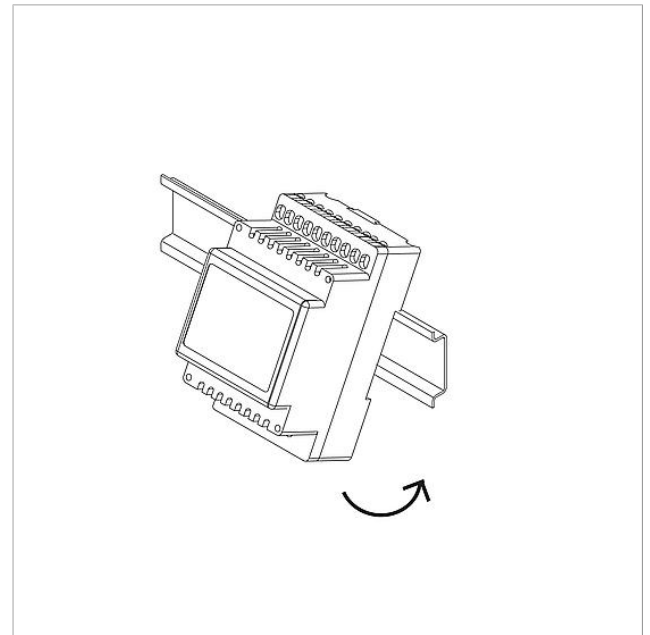
Programmed functions can be actuated using the programmable buttons of the system users or in parallel to a door call button to actuate an external signalling device.

Specifications

Operating voltage:	12 V AC
Operating current:	max. 240 mA
Contact type:	4 n.o. contacts, max. 24 V, 2 A
Switching time:	adjustable from 1 to 10 sec
Protection system:	IP 20
Ambient temperature:	0 °C to +40 °C
Horizontal pitch (HP):	3
Dimensions (mm) W x H x D:	53.5 x 89 x 60

Article information

Article designation	Article description	Colour/Material	KG SAP article no.
BSM 650-02	Bus switching module	Black	A 200032100-00





BSM 650-02 Bus switching module

Product information	263 kB	Download
Declaration of Conformity	1,3 MB	Download
Additional information	109 kB	Download