

Free-standing letterbox
with upright columns
BG/SR 611-4/6-0

Page 1

Product description

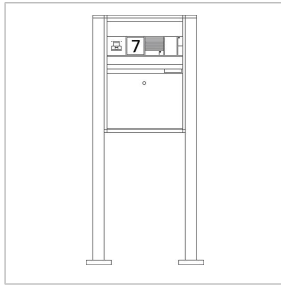
Free-standing letterbox with standpipes to accommodate a letterbox or storage compartment module. 8 module slots to accommodate info sign modules, surface area lights and function modules in the upper section. Intercom module and additional functional modules within easy ergonomical operating reach. Aluminium profile with base flange. Letterbox housing with aluminium rear panel with complete coating / paintwork finish. Complete with letterbox housing, standpipes and base flange with fixing accessories such as heavy-duty dowels, etc.

Specifications

| | | |
|----------------------------|------------------|------------------|
| Dimensions (mm) W x H x D: | 647 x 1344 x 150 | 647 x 1344 x 150 |
| Weight (kg): | 18.85 | 19.13 |

Article information

| Article designation | Article description | Colour/Material | KGSAP article no. |
|---------------------|--|---------------------|-------------------|
| BG/SR 611-4/6-0 AG | Free-standing letterbox with upright columns | Anthracite grey | B 210005009-00 |
| BG/SR 611-4/6-0 DG | Free-standing letterbox with upright columns | Micaceous dark grey | B 200039355-00 |
| BG/SR 611-4/6-0 SM | Free-standing letterbox with upright columns | Silver metallic | B 200023142-00 |
| BG/SR 611-4/6-0 W | Free-standing letterbox with upright columns | White | B 200023140-00 |



Free-standing letterbox
with upright columns
BG/SR 611-4/6-0

Page 2

Accessories

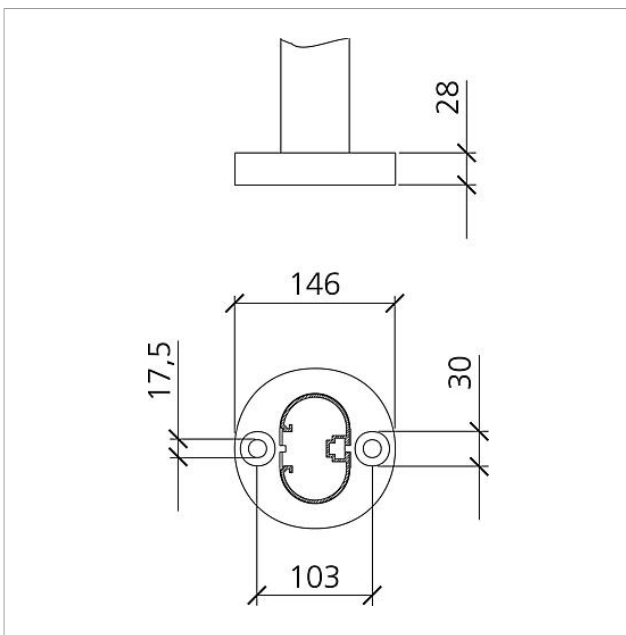
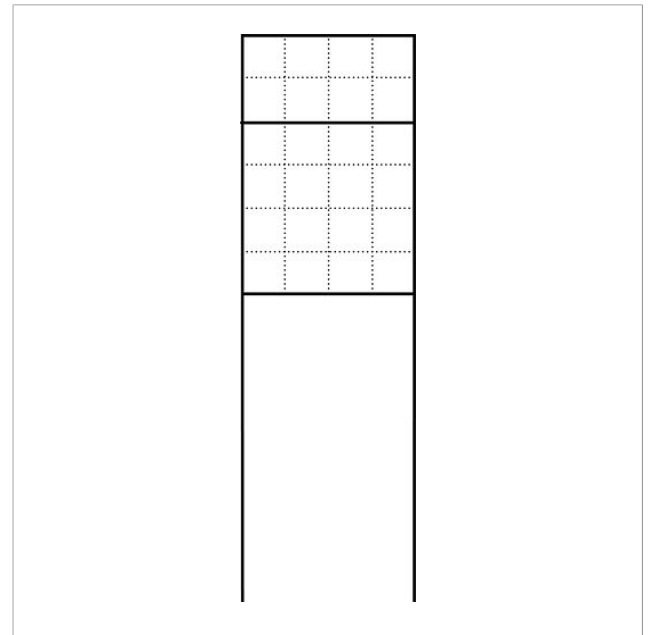
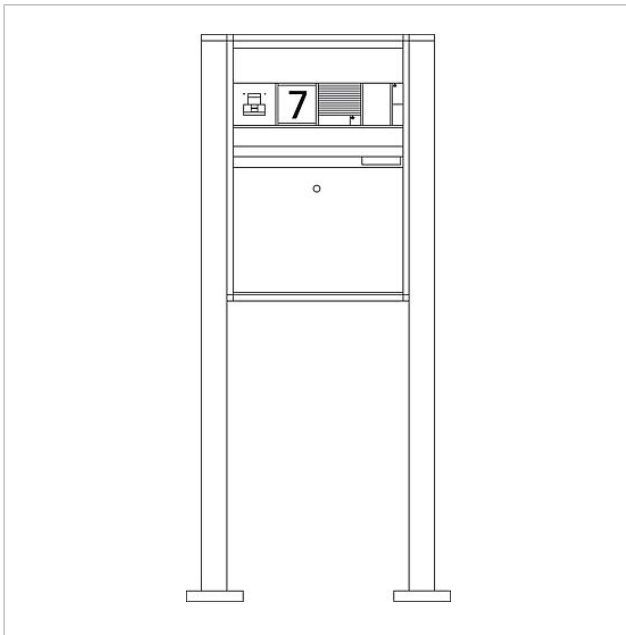
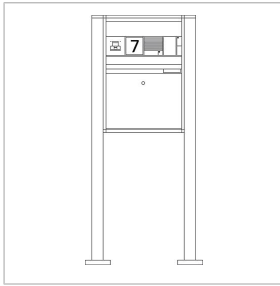
| Article designation | Article description | Colour/Material | KGSAP article no. |
|---------------------|-----------------------------|---------------------|-------------------|
| MA/BG 611-0 | Mounting adapter | Silver | B 200018404-00 |
| Vario 611 AG | Touch-up applicator | Anthracite grey | O 210007124-00 |
| Vario 611 DG | Touch-up applicator | Micaceous dark grey | O 210007123-00 |
| Vario 611 SM | Touch-up applicator | Silver metallic | O 210007117-00 |
| Vario 611 W | Touch-up applicator | White | O 210007116-00 |
| ZE/SR 611-0 | Ground element accessory | Others | B 200018934-00 |
| ZVM/KSA 611-0 | Connecting sleeve accessory | Grey | C 200021207-00 |

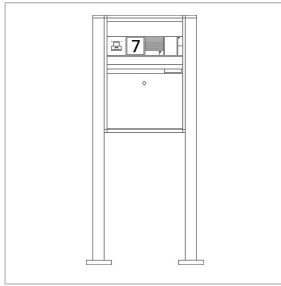
Spare parts

| Article designation | Article description | Colour/Material | KGSAP article no. |
|---------------------------|---------------------|---------------------|-------------------|
| KS/KSF/KSFB/SR 61x-... AG | Screw cover | Anthracite grey | E 210005312-00 |
| KS/KSF/KSFB/SR 61x-... DG | Screw cover | Micaceous dark grey | E 210005313-00 |
| KS/KSF/KSFB/SR 61x-... SM | Screw cover | Silver metallic | E 210005311-00 |
| KS/KSF/KSFB/SR 61x-... W | Screw cover | White | E 210005310-00 |

Free-standing letterbox
with upright columns
BG/SR 611-4/6-0

Page 3





Free-standing letterbox
with upright columns
BG/SR 611-4/6-0

Page 4

| | | | |
|--|------------------------|--------|--------------------------|
| BG/SR 611-... Free-standing letterbox with upright columns | Product information | 1,3 MB | Download |
| | Additional information | 109 kB | Download |