

Free-standing letterbox
with upright columns
BG/SR 611-4/5-0

Page 1

Product description

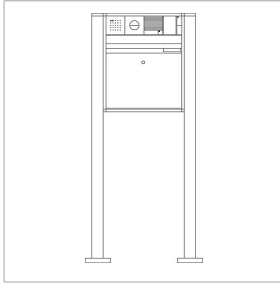
Free-standing letterbox with standpipes to accommodate a letterbox or storage compartment modules. 4 module slots to accommodate info sign modules, surface area lights and function modules in the upper section. Intercom module and additional functional modules within easy ergonomical operating reach. Aluminium profile with base flange. Letterbox housing with aluminium rear panel with complete coating / paintwork finish. Complete with letterbox housing, standpipes and base flange with fixing accessories such as heavy-duty dowels, etc.

Specifications

Dimensions (mm) W x H x D:	647 x 1344 x 150
Weight (kg):	18.85

Article information

Article designation	Article description	Colour/Material	KGSAP article no.
BG/SR 611-4/5-0 AG	Free-standing letterbox with upright columns	Anthracite grey	B 210005008-00
BG/SR 611-4/5-0 DG	Free-standing letterbox with upright columns	Micaceous dark grey	B 200039351-00
BG/SR 611-4/5-0 SM	Free-standing letterbox with upright columns	Silver metallic	B 200023137-00
BG/SR 611-4/5-0 W	Free-standing letterbox with upright columns	White	B 200023135-00



Free-standing letterbox
with upright columns
BG/SR 611-4/5-0

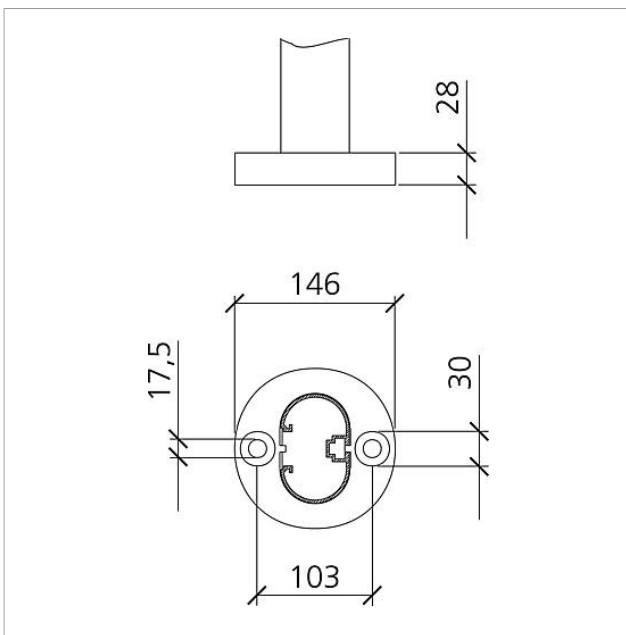
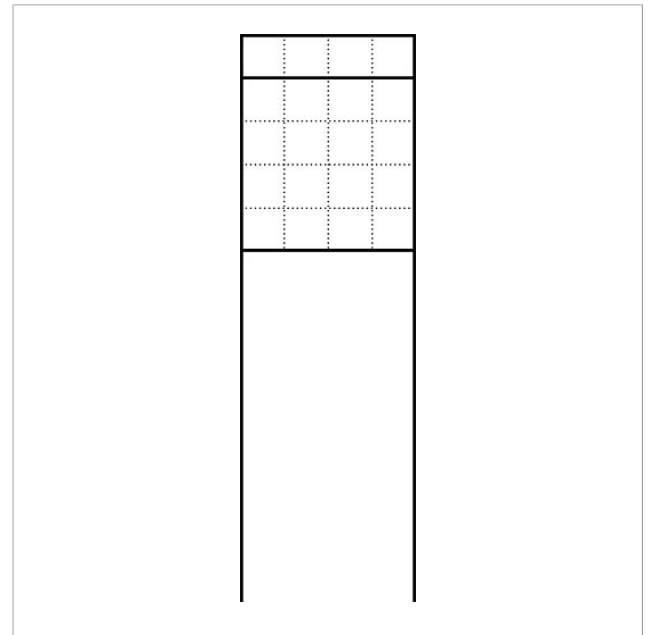
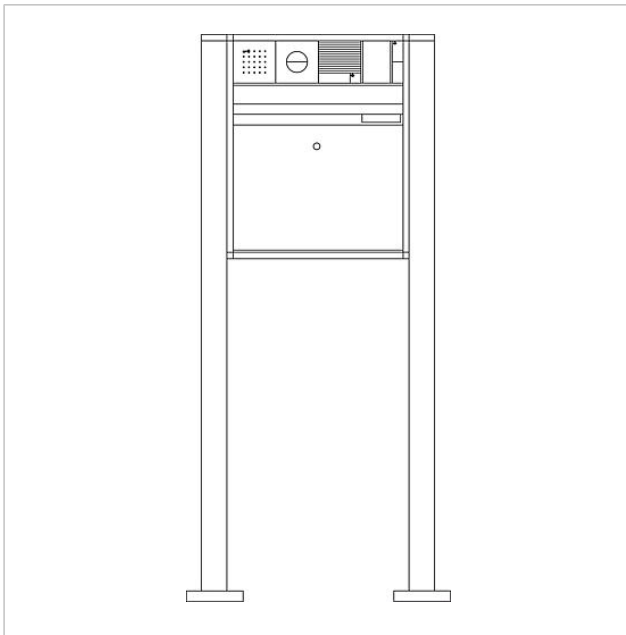
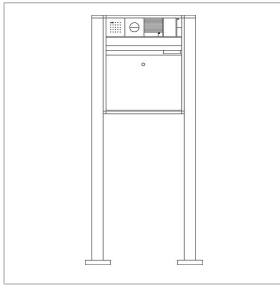
Page 2

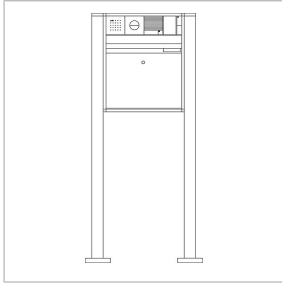
Accessories

Article designation	Article description	Colour/Material	KGSAP article no.
MA/BG 611-0	Mounting adapter	Silver	B 200018404-00
Vario 611 AG	Touch-up applicator	Anthracite grey	0 210007124-00
Vario 611 DG	Touch-up applicator	Micaceous dark grey	0 210007123-00
Vario 611 SM	Touch-up applicator	Silver metallic	0 210007117-00
Vario 611 W	Touch-up applicator	White	0 210007116-00
ZE/SR 611-0	Ground element accessory	Others	B 200018934-00
ZVM/KSA 611-0	Connecting sleeve accessory	Grey	C 200021207-00

Free-standing letterbox
with upright columns
BG/SR 611-4/5-0

Page 3





Free-standing letterbox
with upright columns
BG/SR 611-4/5-0

Page 4

BG/SR 611-... Free-standing letterbox with upright columns	Product information	1,3 MB	Download
	Additional information	140 kB	Download