

Free-standing letterbox
with upright columns
BG/SR 611-4/4-0

Page 1

Product description

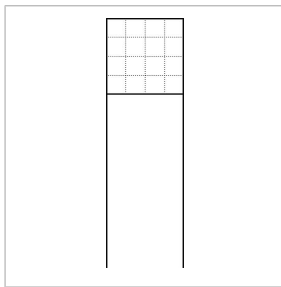
Free standing letterbox with standpipes to accommodate a letterbox module, storage compartment module, info sign modules or surface area lights and function modules. Height 1.30 m aluminium profile with base flange. Letterbox housing with aluminium rear panel with complete coating / paintwork finish. Complete with letterbox housing, standpipes and base flange with fixing accessories such as heavy-duty dowels, etc.

Specifications

| | | |
|----------------------------|------------------|------------------|
| Dimensions (mm) W x H x D: | 647 x 1344 x 150 | 647 x 1344 x 150 |
| Weight (kg): | 17.85 | 19 |

Article information

| Article designation | Article description | Colour/Material | KGSAP article no. |
|---------------------|--|---------------------|-------------------|
| BG/SR 611-4/4-0 AG | Free-standing letterbox with upright columns | Anthracite grey | B 210005007-00 |
| BG/SR 611-4/4-0 DG | Free-standing letterbox with upright columns | Micaceous dark grey | B 200039347-00 |
| BG/SR 611-4/4-0 SM | Free-standing letterbox with upright columns | Silver metallic | B 200023132-00 |
| BG/SR 611-4/4-0 W | Free-standing letterbox with upright columns | White | B 200023130-00 |



Accessories

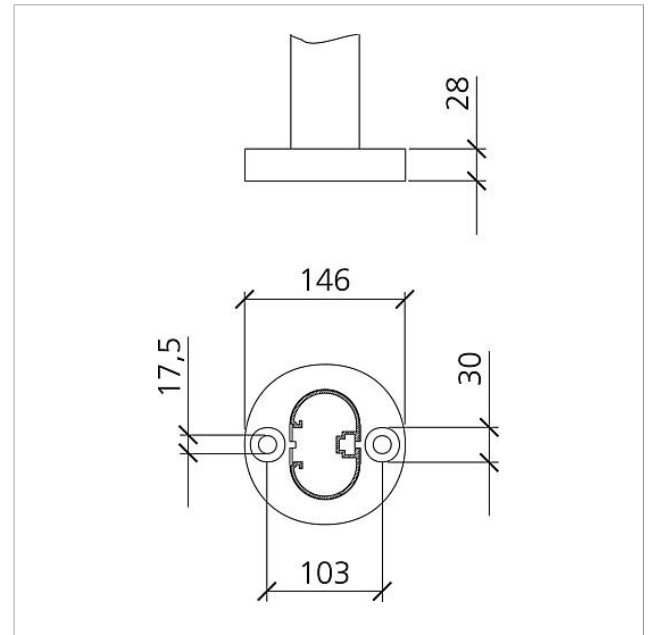
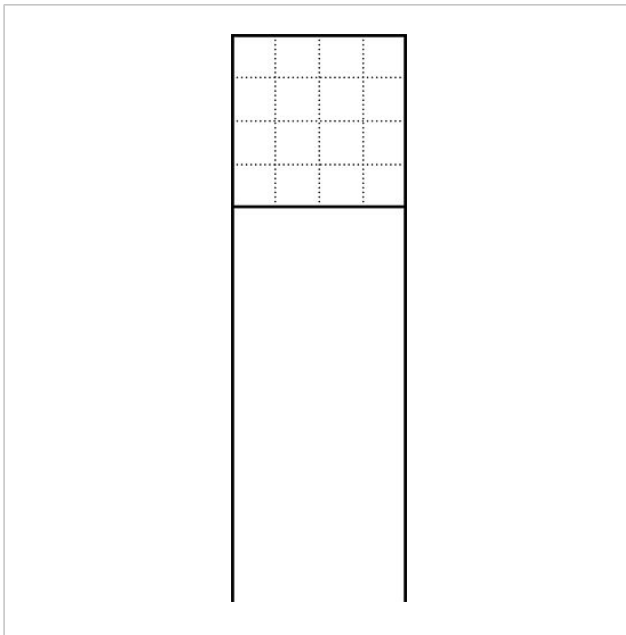
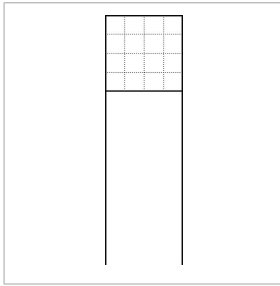
| Article designation | Article description | Colour/Material | KGSAP article no. |
|---------------------|-----------------------------|---------------------|-------------------|
| MA/BG 611-0 | Mounting adapter | Silver | B 200018404-00 |
| Vario 611 AG | Touch-up applicator | Anthracite grey | 0 210007124-00 |
| Vario 611 DG | Touch-up applicator | Micaceous dark grey | 0 210007123-00 |
| Vario 611 SM | Touch-up applicator | Silver metallic | 0 210007117-00 |
| Vario 611 W | Touch-up applicator | White | 0 210007116-00 |
| ZE/SR 611-0 | Ground element accessory | Others | B 200018934-00 |
| ZVM/KSA 611-0 | Connecting sleeve accessory | Grey | C 200021207-00 |

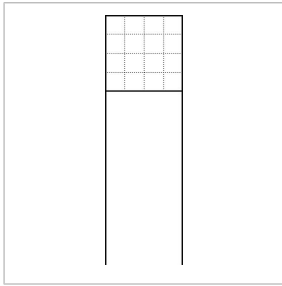
Spare parts

| Article designation | Article description | Colour/Material | KGSAP article no. |
|---------------------------|---------------------|---------------------|-------------------|
| KS/KSF/KSFB/SR 61x-... AG | Screw cover | Anthracite grey | E 210005312-00 |
| KS/KSF/KSFB/SR 61x-... DG | Screw cover | Micaceous dark grey | E 210005313-00 |
| KS/KSF/KSFB/SR 61x-... SM | Screw cover | Silver metallic | E 210005311-00 |
| KS/KSF/KSFB/SR 61x-... W | Screw cover | White | E 210005310-00 |

Free-standing letterbox
with upright columns
BG/SR 611-4/4-0

Page 3





Free-standing letterbox
with upright columns
BG/SR 611-4/4-0

Page 4

| | | | |
|--|------------------------|--------|--------------------------|
| BG/SR 611-... Free-standing letterbox with upright columns | Product information | 1,3 MB | Download |
| | Additional information | 109 kB | Download |