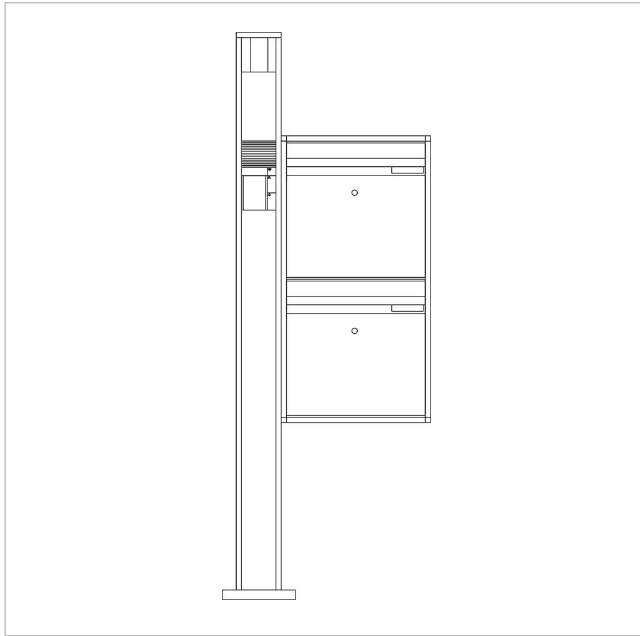


Free-standing  
communication  
pedestal  
BG/KSF 611-20 G-R

Page 1



## Product description

Free-standing communication pedestal with 2 letterbox housing unit.

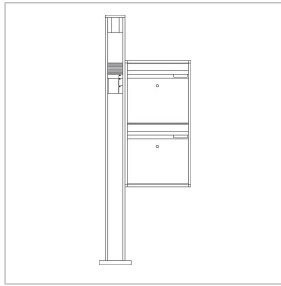
To accommodate two letterbox or storage compartment modules.

## Specifications

Dimensions (mm) W x H x D:	606 x 1644 x 150
Weight (kg):	23.24

## Article information

Article designation	Article description	Colour/Material	KGSAP article no.
BG/KSF 611-20 G-R AG	Free-standing communication pedestal	Anthracite grey	A 210005006-00
BG/KSF 611-20 G-R DG	Free-standing communication pedestal	Micaceous dark grey	A 200039335-00
BG/KSF 611-20 G-R SM	Free-standing communication pedestal	Silver metallic	A 200024486-00
BG/KSF 611-20 G-R W	Free-standing communication pedestal	White	A 200024484-00



Free-standing  
communication  
pedestal  
BG/KSF 611-20 G-R

Page 2

## Accessories

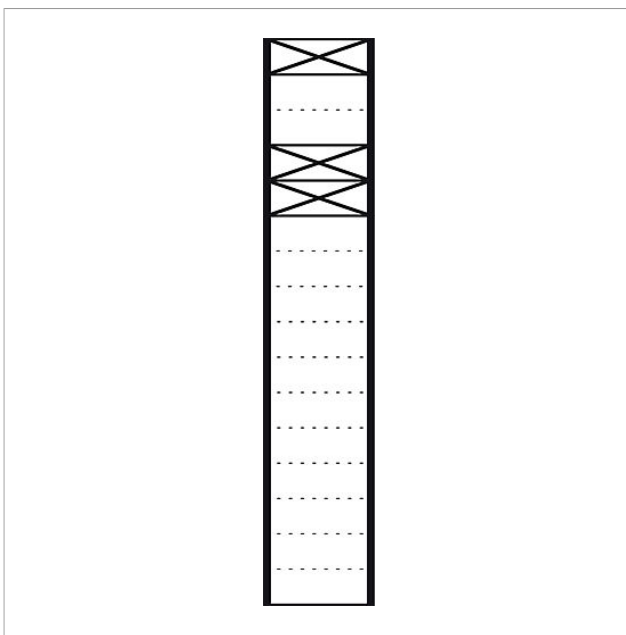
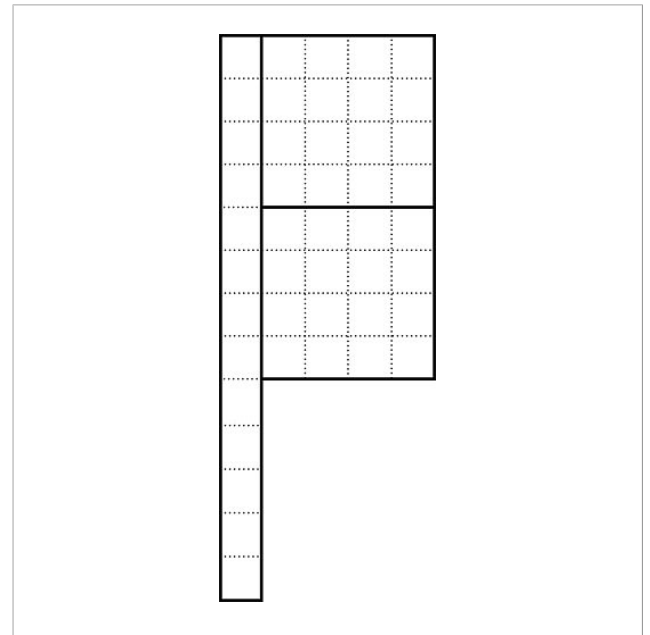
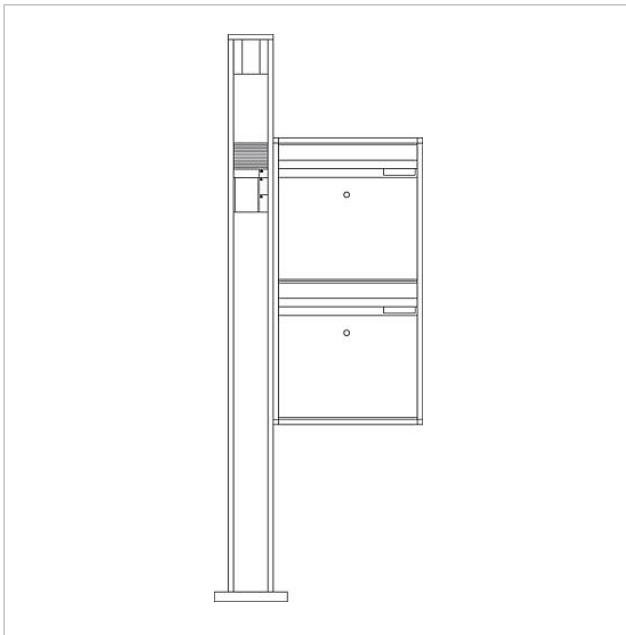
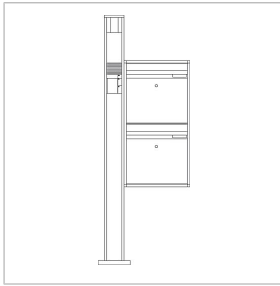
Article designation	Article description	Colour/Material	KG SAP article no.
Vario 611 AG	Touch-up applicator	Anthracite grey	0 210007124-00
Vario 611 DG	Touch-up applicator	Micaceous dark grey	0 210007123-00
Vario 611 SM	Touch-up applicator	Silver metallic	0 210007117-00
Vario 611 W	Touch-up applicator	White	0 210007116-00
ZE/KS/KSF 611-0	Ground element accessory	Others	A 200036337-00

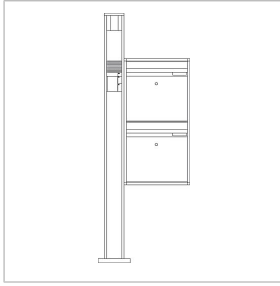
## Spare parts

Article designation	Article description	Colour/Material	KG SAP article no.
KS/KSF/KSFB/SR 61x-... AG	Screw cover	Anthracite grey	E 210005312-00
KS/KSF/KSFB/SR 61x-... DG	Screw cover	Micaceous dark grey	E 210005313-00
KS/KSF/KSFB/SR 61x-... SM	Screw cover	Silver metallic	E 210005311-00
KS/KSF/KSFB/SR 61x-... W	Screw cover	White	E 210005310-00
RGA/RGF 611-3/1 W	Pass-through flap with removal door	White	E 210006031-00

Free-standing  
communication  
pedestal  
BG/KSF 611-20 G-R

Page 3





Free-standing  
communication  
pedestal  
BG/KSF 611-20 G-R

Page 4

---

BG/KSF 611-... Letterbox on the free-standing communication column	Product information	294 kB	Download
	Product information	1 MB	Download
	Additional information	109 kB	Download