



## Product description

Controller door release in switch panel housing for actuation of a door release in conjunction with the wire-saving 1+n system. For security reasons this should not be connected directly to the door loudspeaker.

## Specifications

|                            |                   |
|----------------------------|-------------------|
| Operating voltage:         | 12 V AC           |
| Operating current:         | max. 70 mA        |
| Contact type:              | contact 24 V, 2 A |
| Switching time:            | Fixed at 3 sec    |
| Protection system:         | IP 20             |
| Ambient temperature:       | 0 °C to +40 °C    |
| Horizontal pitch (HP):     | 3                 |
| Dimensions (mm) W x H x D: | 53.5 x 89 x 60    |

## Article information

| Article designation | Article description     | Colour/Material | KG SAP article no. |
|---------------------|-------------------------|-----------------|--------------------|
| CTÖ 602-0           | Controller door release | Black           | A 200015500-00     |

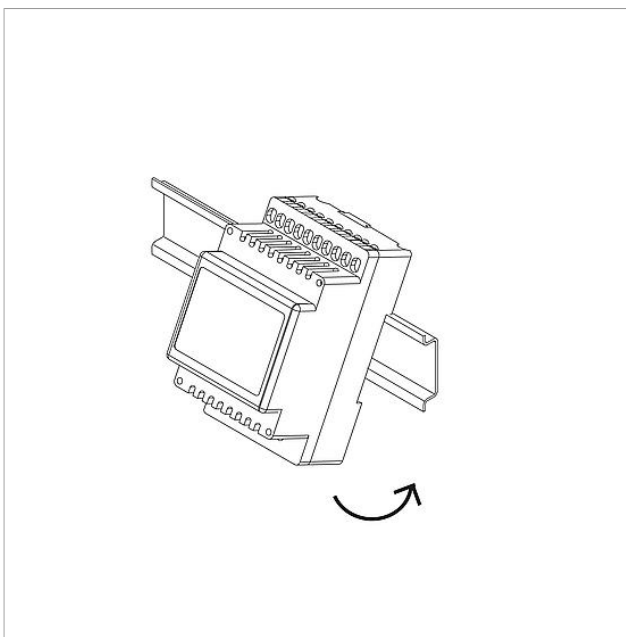
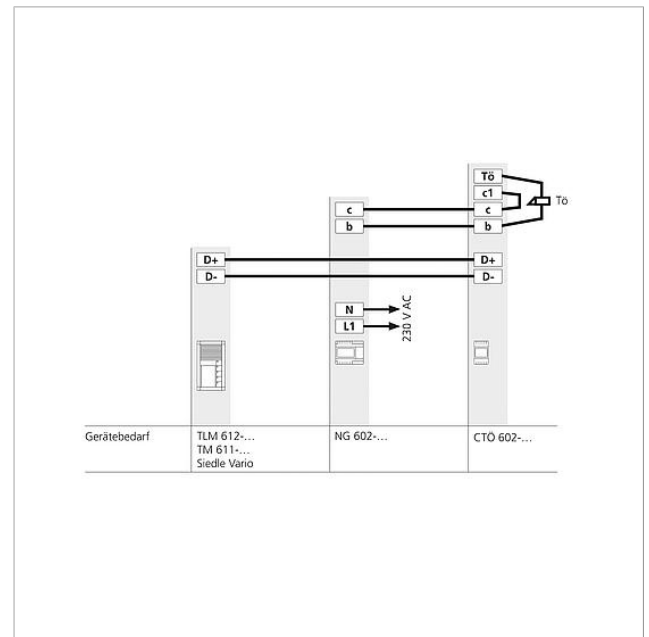


---

## Accessories

---

| Article designation | Article description | Colour/Material | KG SAP article no. |
|---------------------|---------------------|-----------------|--------------------|
| TÖ 615-0            | Door release        | Others          | C 200012256-00     |





---

CTÖ 602-0 Controller door release  
CTÖ 602-...

|                           |        |                          |
|---------------------------|--------|--------------------------|
| Product information       | 352 kB | <a href="#">Download</a> |
| Declaration of Conformity | 13 kB  | <a href="#">Download</a> |
| Additional information    | 109 kB | <a href="#">Download</a> |