



Product description

Controller door release in switch panel housing for actuation of a door release in conjunction with the wire-saving 1+n system. For security reasons this should not be connected directly to the door loudspeaker.

Specifications

| | |
|----------------------------|-------------------|
| Operating voltage: | 12 V AC |
| Operating current: | max. 70 mA |
| Contact type: | contact 24 V, 2 A |
| Switching time: | Fixed at 3 sec |
| Protection system: | IP 20 |
| Ambient temperature: | 0 °C to +40 °C |
| Horizontal pitch (HP): | 3 |
| Dimensions (mm) W x H x D: | 53.5 x 89 x 60 |

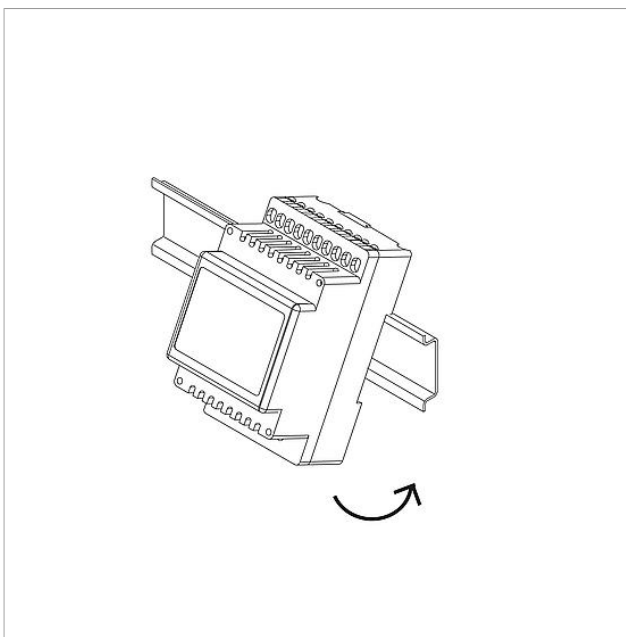
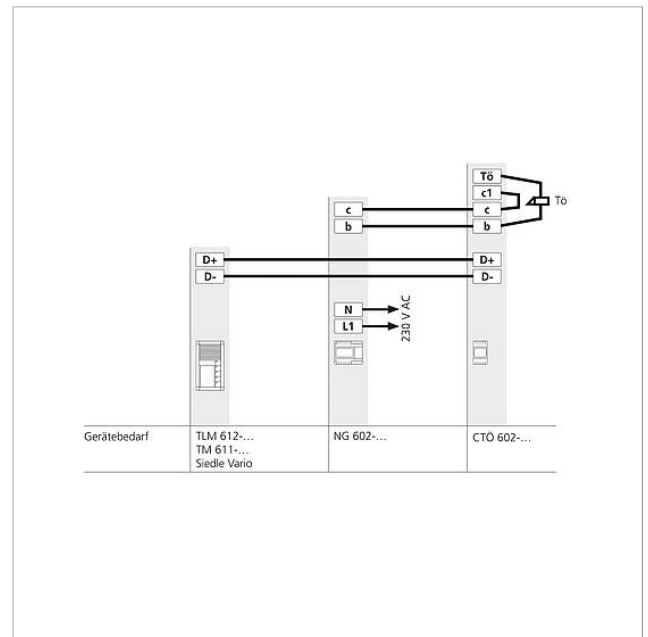
Article information

| Article designation | Article description | Colour/Material | KG SAP article no. |
|---------------------|-------------------------|-----------------|--------------------|
| CTÖ 602-0 | Controller door release | Black | A 200015500-00 |



Accessories

| Article designation | Article description | Colour/Material | KG SAP article no. |
|---------------------|---------------------|-----------------|--------------------|
| TÖ 615-0 | Door release | Others | C 200012256-00 |





CTÖ 602-0 Controller door release
CTÖ 602-...

| | | |
|---------------------------|--------|--------------------------|
| Product information | 352 kB | Download |
| Declaration of Conformity | 13 kB | Download |
| Additional information | 140 kB | Download |